

# Nationaleco

A New Lighting LED Driver

Catalog

- Digital control of lighting
- Possibility to call up pre-set programs
- Independent brightness control

## A wide range of products

- Triac Dimmable LED Driver
- 0-10V Dimmable LED Driver
- DALI Dimmable LED Driver
- PUSH Dimmable LED Driver
- 2.4G Dimmable LED Driver
- PWM Dimmable LED Driver
- Zigbee Dimmable LED Driver

## CONTENTS

---

---

IP20-Plastic Rectangle shell series ——— 03-05

IP20-Plastic Round shell series ——— 06-08

Aluminum Waterproof shell series ——— 09-12

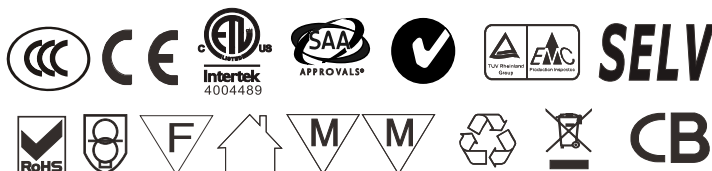
Junction boxed series ——— 13-16

---

Zigbee/Triac/0-10V/DALI/PUSH/RF/PWM Dimmable/No Dimmable

## Product Features

- Adopt active PFC circuit scheme, high factor and low harmonic
- Full-isolation driver
- A variety of dimming mode Zigbee/Triac/0-10V/DALI/PUSH/RF/PWM
- Short circuit, over current and over voltage protection.
- Global multi-national certification optional (UL, ETL, TUV, SAA, CB, CCC, CE)
- Conform to the world lighting safety standards
- 5 years quality warranty



## Electrical specifications

### Constant Current

all PF>0,5 are flicker free

Model	Factor	Dimming Type							Output voltage&current	Weight(g)	Size(mm)
		Zigbee	Triac	0-10V	DALI	PUSH	RF	PWM			
DR-CC-09	PF>0.95		✓						31-45V 200mA	50	84*29*20
	PF>0.5							21-30V 300mA			
								15-22V 400mA			
DR-CC-12	PF>0.95		✓	✓	✓	✓	✓		24-34V 350mA	70	94*36*18
	PF>0.5		✓	✓	✓	✓	✓	17-24V 500mA			
								12-17V 700mA			
DR-CC-20	PF>0.95	✓	✓	✓	✓	✓	✓		28-40V 500mA	100	107*41*22
	PF>0.5	✓	✓	✓	✓	✓	✓	20-28V 700mA			
								16-22V 900mA			
DR-CC-30	PF>0.95	✓	✓	✓	✓	✓	✓		30-42V 700mA	140	133*46*24
	PF>0.5	✓	✓	✓	✓	✓	✓	23-33V 900mA			
								18-25V 1200mA			
DR-CC-40	PF>0.95	✓	✓	✓	✓	✓	✓	✓	40-57V 700mA	160	133*46*30
	PF>0.5	✓	✓	✓	✓	✓	✓	✓	32-45V 900mA		
									23-33V 1200mA		
DR-CC-60	PF>0.95	✓	✓	✓	✓	✓	✓	✓	46-66V 900mA	250	170*50*30
	PF>0.5	✓	✓	✓	✓	✓	✓	✓	35-50V 1200mA		
									28-40V 1500mA		
DR-CC-80	PF>0.95	✓	✓	✓	✓	✓	✓	✓	50-72V 1100mA	370	189*65*30
	PF>0.5	✓	✓	✓	✓	✓	✓	✓	37-53V 1500mA		
									30-44V 1800mA		
									25-36V 2200mA		

Zigbee/Triac/0-10V/DALI/PUSH/RF/PWM Dimmable/No Dimmable

all PF>0,5 are flicker free

Constant Voltage		Dimming Type							Output voltage&current	Weight(g)	Size(mm)
Model	Factor	Zigbee	Traic	0-10V	DALI	PUSH	RF	PWM			
DR-CV-09	PF>0.95		✓						12V 750mA	50	84*29*20
	PF>0.5								24V 375mA		
DR-CV-12	PF>0.95		✓	✓	✓	✓	✓		12V 1000mA	70	94*36*18
	PF>0.5		✓	✓	✓	✓	✓		24V 500mA		
DR-CV-20	PF>0.95	✓	✓	✓	✓	✓	✓		12V 1600mA	100	107*41*22
	PF>0.5	✓	✓	✓	✓	✓	✓		24V 830mA		
DR-CV-30	PF>0.95	✓	✓	✓	✓	✓	✓		12V 2400mA	140	133*46*24
	PF>0.5	✓	✓	✓	✓	✓	✓		24V 1250mA		
DR-CV-40	PF>0.95	✓	✓	✓	✓	✓	✓	✓	12V 3300mA	160	133*46*30
	PF>0.5	✓	✓	✓	✓	✓	✓	✓	24V 1700mA		
DR-CV-60	PF>0.95	✓	✓	✓	✓	✓	✓	✓	12V 5000mA	250	170*50*30
	PF>0.5	✓	✓	✓	✓	✓	✓	✓	24V 2500mA		
DR-CV-80	PF>0.95	✓	✓	✓	✓	✓	✓	✓	12V 6500mA	370	189*65*30
	PF>0.5	✓	✓	✓	✓	✓	✓	✓	24V 3300mA		

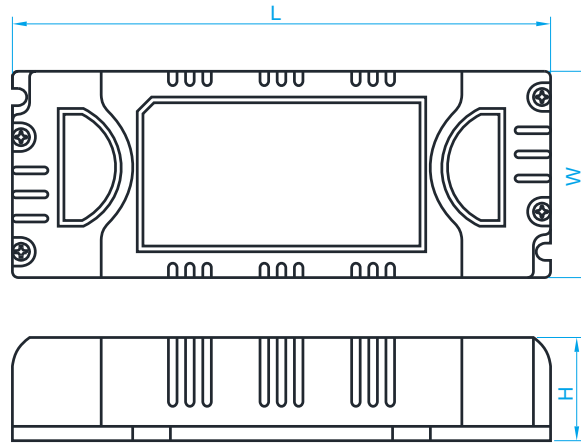
protect	Short circuit protection	Intermittent restart mode, after the exception can be automatically restored
	Overcurrent protection	Hiccup mode, after the removal of abnormal flow can be automatically restored
	Overvoltage protection	Hiccup mode, after the exception of abnormal pressure can be automatically restored

Environment	Operating Temperature/humidity	-30-45°C,5-95%RH
	Storage Temperature/humidity	-40-70°C,5-95%RH
	Temperature coefficient	±0.03%/°C(0-50°C)
	Vibration	5-55Hz/2g,30 Mimutes

Safety	Safety	EN60598
	Pressure	I/P-O/P:3KVAC IP-FG:1.88KVAC O/P-FG:0.5KVAC
	Insulation resistance	I/P-O/P I/P-FG O/P-FG:100M Ω /500VDC/25°C/70%RH
	EMC Emission	EN55022,EN55015 Class B
	EMC Immanity	EN61547,ENV5024,EN61000-4-2/3/4/6/8/11

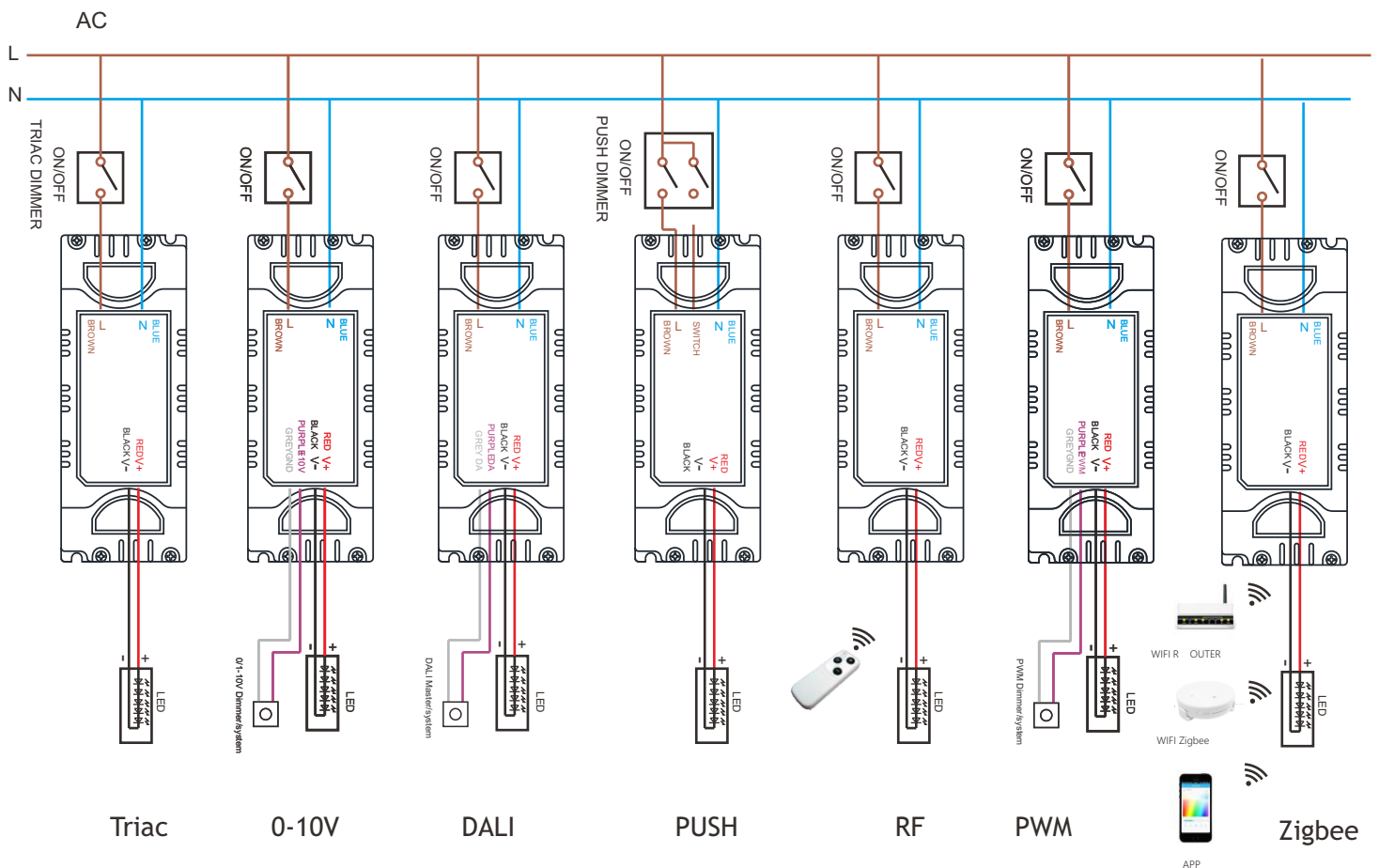
Zigbee/Triac/0-10V/DALI/PUSH/RF/PWM Dimmable/No Dimmable

### Shell structure



Units:mm

### Wiring diagram



### Wiring color

Input		Color	Output	Color	Dimmer line		Color
110V/AC	L	BLACK	+	RED	0-10V PWM	10V	PURPLE
	N	WHITE				GND	GREY
220V/AC	L	BROWN	-	BLACK	DALI	DA	PURPLE
	N	BLUE				DA	GREY

Zigbee/Triac/0-10V/DALI/PUSH/RF/PWM Dimmable/No Dimmable

## Product Features

- Adopt active PFC circuit scheme, high factor and low harmonic
- Full-isolation driver
- A variety of dimming mode Zigbee/Triac/ 0-10V/DALI/PUSH/RF/PWM
- Short circuit, over current and over voltage protection.
- Global multi-national certification optional (UL, ETL, TUV, SAA, CB, CCC, CE)
- Conform to the world lighting safety standards
- 5 years quality warranty



## Electrical specifications

### Constant Current

all PF>0,5 are flicker free

Model	Factor	Dimming Type							Output voltage&current	Weight(g)	Size(mm)
		Zigbee	Traic	0-10V	DALI	PUSH	RF	PWM			
DR-CC-09	PF>0.95		✓						31-45V 200mA	50	51*17
	PF>0.5							21-30V 300mA			
								15-22V 400mA			
DR-CC-12	PF>0.95		✓						24-34V 350mA	70	67*21
	PF>0.5							17-24V 500mA			
								12-17V 700mA			
DR-CC-20	PF>0.95		✓						28-40V 500mA	100	73*27
	PF>0.5							20-28V 700mA			
								16-22V 900mA			
DR-CC-30	PF>0.95	✓	✓	✓	✓	✓	✓		30-42V 700mA	145	79*31
	PF>0.5	✓	✓	✓	✓	✓	✓	23-33V 900mA			
		✓	✓	✓	✓	✓	✓	18-25V 1200mA			
DR-CC-40	PF>0.95	✓	✓	✓	✓	✓	✓	✓	40-57V 700mA	220	102*31
	PF>0.5	✓	✓	✓	✓	✓	✓	✓	32-45V 900mA		
		✓	✓	✓	✓	✓	✓	✓	23-33V 1200mA 19-27V 1500mA		
DR-CC-60	PF>0.95	✓	✓	✓	✓	✓	✓	✓	46-66V 900mA	220	102*31
	PF>0.5	✓	✓	✓	✓	✓	✓	✓	35-50V 1200mA		
		✓	✓	✓	✓	✓	✓	✓	28-40V 1500mA 23-33V 1800mA		

Zigbee/Triac/0-10V/DALI/PUSH/RF/PWM Dimmable/No Dimmable

Constant Voltage									all PF>0,5 are flicker free			
Model	Factor	Dimming Type							Output voltage&current	Weight(g)	Size(mm)	
		Zigbee	Triac	0-10V	DALI	PUSH	RF	PWM				
DR-CV-09	PF>0.95		✓						12V 750mA	50	51*17	
	PF>0.5								24V 375mA			
DR-CV-12	PF>0.95		✓						12V 1000mA	70	67*21	
	PF>0.5								24V 500mA			
DR-CV-20	PF>0.95		✓						12V 1600mA	100	73*27	
	PF>0.5								24V 830mA			
DR-CV-30	PF>0.95	✓	✓	✓	✓	✓	✓		12V 2400mA	145	79*31	
	PF>0.5	✓	✓	✓	✓	✓	✓		24V 1250mA			
DR-CV-40	PF>0.95	✓	✓	✓	✓	✓	✓	✓	12V 3300mA	220	102*31	
	PF>0.5	✓	✓	✓	✓	✓	✓	✓	24V 1700mA			
DR-CV-60	PF>0.95	✓	✓	✓	✓	✓	✓	✓	12V 5000mA	220	102*31	
	PF>0.5	✓	✓	✓	✓	✓	✓	✓	24V 2500mA			

protect	Short circuit protection	Intermittent restart mode, after the exception can be automatically restored
	Overcurrent protection	Hiccup mode, after the removal of abnormal flow can be automatically restored
	Overvoltage protection	Hiccup mode, after the exception of abnormal pressure can be automatically restored

Environment	Operating Temperature/humidity	-30-45°C,5-95%RH
	Storage Temperature/humidity	-40-70°C,5-95%RH
	Temperature coefficient	±0.03%/°C(0-50°C)
	Vibration	5-55Hz/2g,30 Mimutes

Safety	Safety	EN60598
	Pressure	I/P-O/P:3KVAC IP-FG:1.88KVAC O/P-FG:0.5KVAC
	Insulation resistance	I/P-O/P I/P-FG O/P-FG:100M Ω /500VDC/25°C/70%RH
	EMC Emission	EN55022,EN55015 Class B
	EMC Immunity	EN61547,ENV5024,EN61000-4-2/3/4/6/8/11





Triac/0-10V/DALI/PUSH/RF/PWM Dimmable/No Dimmable

## Product Features

- Adopt active PFC circuit scheme, high factor and low harmonic
- Full-isolation driver
- A variety of dimming mode 0-10V/DALI/PUSH/RF/PWM
- Short circuit, over current and over voltage protection.
- Global multi-national certification optional (UL, ETL, TUV, SAA, CB, CCC, CE)
- Conform to the world lighting safety standards
- 5 years quality warranty



## Electrical specifications

protect	Short circuit protection	Intermittent restart mode, after the exception can be automatically restored
	Overcurrent protection	Hiccup mode, after the removal of abnormal flow can be automatically restored
	Overvoltage protection	Hiccup mode, after the exception of abnormal pressure can be automatically restored
Environment	Operating Temperature/humidity	-30-45°C, 5-95%RH
	Storage Temperature/humidity	-40-70°C, 5-95%RH
	Temperature coefficient	±0.03%/°C (0-50°C)
	Vibration	5-55Hz/2g, 30 Minutes
Safety	Safety	EN60598
	Pressure	I/P-O/P:3KVAC IP-FG:1.88KVAC O/P-FG:0.5KVAC
	Insulation resistance	I/P-O/P I/P-FG O/P-FG:100M Ω /500VDC/25°C/70%RH
	EMC Emission	EN55022, EN55015 Class B
	EMC Immunity	EN61547, ENV5024, EN61000-4-2/3/4/6/8/11

Triac/0-10V/DALI/PUSH/RF/PWM Dimmable/No Dimmable

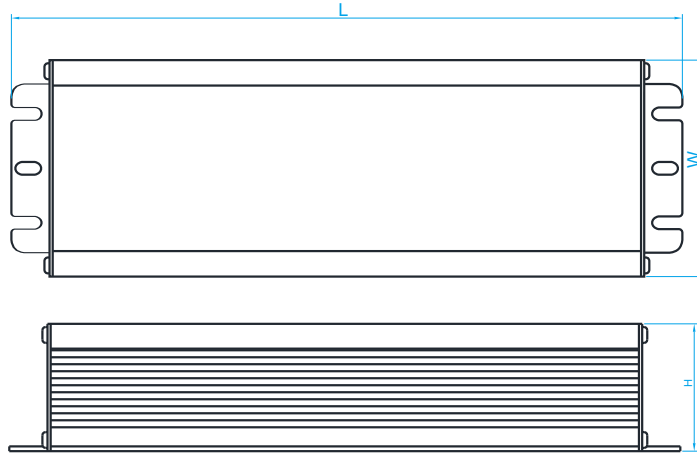
Constant C urrent		all PF>0,5 are flicker free									
Model	Factor	Dimming Type						Output voltage&current		Weight(g)	Size(mm)
		Traic	0-10V	DALI	PUSH	RF	PWM				
DR-CC-12	PF>0.95	✓	✓	✓	✓	✓		24-34V	350mA	212	110*42*28
	PF>0.5	✓	✓	✓	✓	✓		17-24V	500mA		
DR-CC-20	PF>0.95	✓	✓	✓	✓	✓		28-40V	500mA	248	110*44*32
	PF>0.5	✓	✓	✓	✓	✓		20-28V	700mA		
DR-CC-30	PF>0.95	✓	✓	✓	✓	✓		30-42V	700mA	472	140*44*32
	PF>0.5	✓	✓	✓	✓	✓		23-33V	900mA		
DR-CC-40	PF>0.95	✓	✓	✓	✓	✓	✓	40-57V	700mA	472	142*49*40
	PF>0.5	✓	✓	✓	✓	✓	✓	32-45V	900mA		
DR-CC-60	PF>0.95	✓	✓	✓	✓	✓	✓	23-33V	1200mA	608	185*49*40
	PF>0.5	✓	✓	✓	✓	✓	✓	46-66V	900mA		
DR-CC-80	PF>0.95	✓	✓	✓	✓	✓	✓	35-50V	1200mA	616	184*56*35
	PF>0.5	✓	✓	✓	✓	✓	✓	28-40V	1500mA		
DR-CC-100	PF>0.95	✓	✓	✓	✓	✓	✓	23-33V	1800mA	984	210*68*39
	PF>0.5	✓	✓	✓	✓	✓	✓	50-72V	1100mA		
DR-CC-150	PF>0.95		✓	✓	✓	✓	✓	37-53V	1500mA	1225	210*68*48
	PF>0.5	✓	✓	✓	✓	✓	✓	30-44V	1800mA		
DR-CC-200	PF>0.95		✓	✓	✓	✓	✓	25-36V	2200mA	1300	240*69*40
	PF>0.5	✓	✓	✓	✓	✓	✓	49-72V	1300mA		
DR-CC-250	PF>0.95		✓	✓	✓	✓	✓	38-55V	1800mA	1500	250*72*52
	PF>0.5	✓	✓	✓	✓	✓	✓	30-43V	2300mA		
DR-CC-300	PF>0.95		✓	✓	✓	✓	✓	25-35V	2800mA	1500	250*72*52
	PF>0.5	✓	✓	✓	✓	✓	✓	42-57V	2.6A		
DR-CC-300	PF>0.95		✓	✓	✓	✓	✓	36-42V	3.6A	1500	250*72*52
	PF>0.5	✓	✓	✓	✓	✓	✓	30-36V	4.2A		
DR-CC-300	PF>0.95		✓	✓	✓	✓	✓	24-34V	5.8A	1500	250*72*52
	PF>0.5	✓	✓	✓	✓	✓	✓	17-24V	8.3A		
DR-CC-300	PF>0.95		✓	✓	✓	✓	✓	12-17V	11.7A	1500	250*72*52
	PF>0.5	✓	✓	✓	✓	✓	✓	24-34V	7.3A		
DR-CC-300	PF>0.95		✓	✓	✓	✓	✓	17-24V	10.4A	1500	250*72*52
	PF>0.5	✓	✓	✓	✓	✓	✓	12-17V	14.7A		
DR-CC-300	PF>0.95		✓	✓	✓	✓	✓	24-34V	8.8A	1500	250*72*52
	PF>0.5	✓	✓	✓	✓	✓	✓	17-24V	12.5A		
DR-CC-300	PF>0.95		✓	✓	✓	✓	✓	12-17V	17.6A	1500	250*72*52
	PF>0.5	✓	✓	✓	✓	✓	✓				

Triac/0-10V/DALI/PUSH/RF/PWM Dimmable/No Dimmable

Constant Voltage								all PF>0,5 are flicker free			
Model	Factor	Dimming Type						Output voltage&current	Weight(g)	Size(mm)	
		Traic	0-10V	DALI	PUSH	RF	PWM				
DR-CV-12	PF>0.95	✓	✓	✓	✓	✓		12V 1000mA	212	110*42*28	
	PF>0.5	✓	✓	✓	✓	✓		24V 500mA			
DR-CV-20	PF>0.95	✓	✓	✓	✓	✓		12V 1600mA	248	110*44*32	
	PF>0.5	✓	✓	✓	✓	✓		24V 830mA			
DR-CV-30	PF>0.95	✓	✓	✓	✓	✓		12V 2400mA	472	140*44*32	
	PF>0.5	✓	✓	✓	✓	✓		24V 1250mA			
DR-CV-40	PF>0.95	✓	✓	✓	✓	✓	✓	12V 3300mA	472	145*49*40	
	PF>0.5	✓	✓	✓	✓	✓	✓	24V 1700mA			
DR-CV-60	PF>0.95	✓	✓	✓	✓	✓	✓	12V 5000mA	608	180*49*40	
	PF>0.5	✓	✓	✓	✓	✓	✓	24V 2500mA			
DR-CV-80	PF>0.95	✓	✓	✓	✓	✓	✓	12V 6500mA	616	184*56*35	
	PF>0.5	✓	✓	✓	✓	✓	✓	24V 3300mA			
DR-CV-100	PF>0.95	✓	✓	✓	✓	✓	✓	12V 8000mA	984	210*68*39	
	PF>0.95		✓	✓	✓	✓	✓				
	PF>0.5	✓	✓	✓	✓	✓	✓	24V 4200mA			
DR-CV-150	PF>0.95		✓	✓	✓	✓	✓	12V 12.5A	1225	210*68*48	
	PF>0.5	✓	✓	✓	✓	✓	✓	24V 6.2A			
DR-CV-200	PF>0.95		✓	✓	✓	✓	✓	12V 16.6A	1300	240*69*40	
	PF>0.5	✓	✓	✓	✓	✓	✓	24V 8.3A			
DR-CV-250	PF>0.95		✓	✓	✓	✓	✓	12V 20.8A	1500	250*72*52	
	PF>0.5	✓	✓	✓	✓	✓	✓	24V 10.4A			
DR-CV-300	PF>0.95		✓	✓	✓	✓	✓	12V 25A	1500	250*72*52	
	PF>0.5	✓	✓	✓	✓	✓	✓	24V 12.5A			

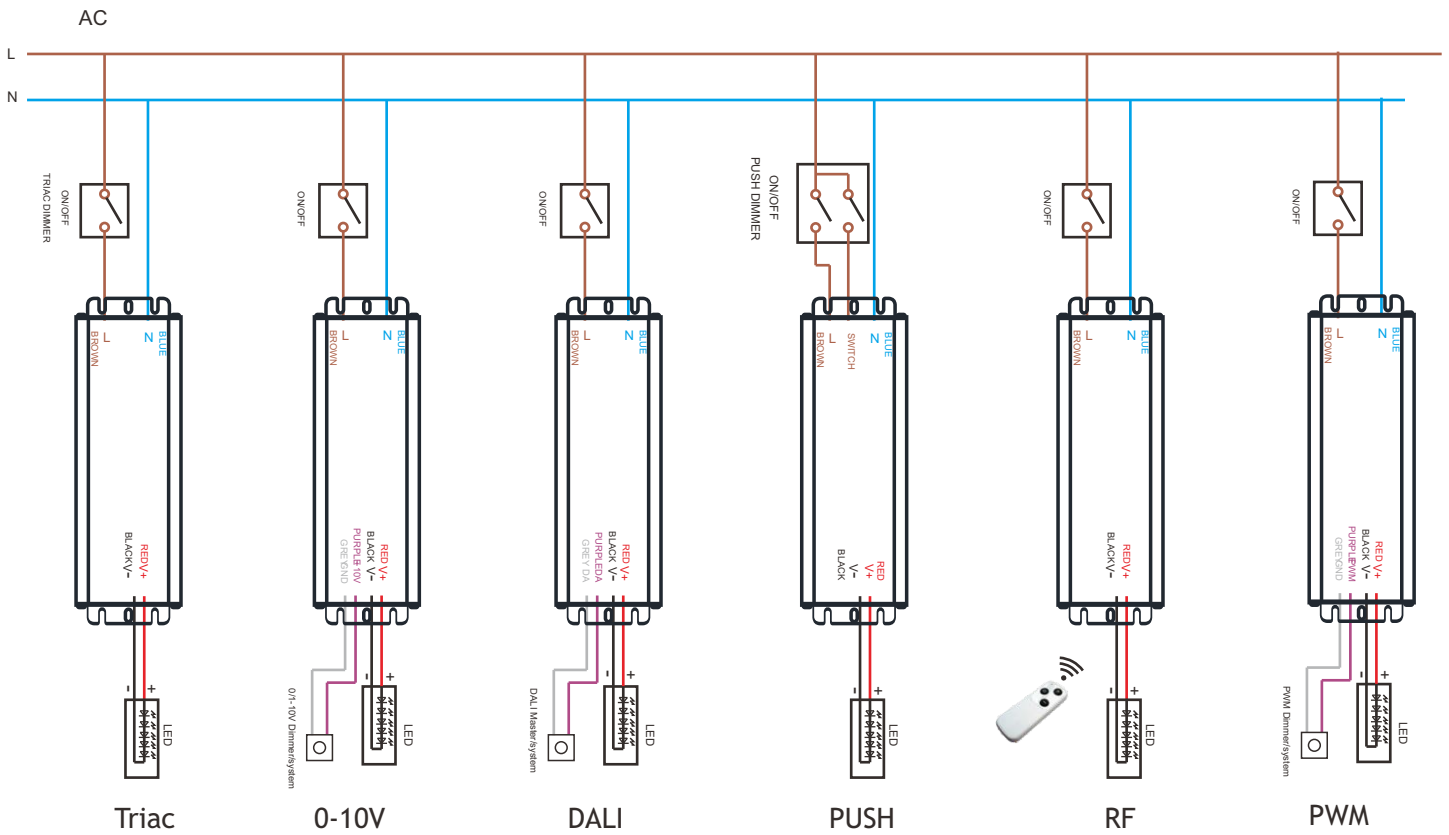
Triac/0-10V/DALI/PUSH/RF/PWM Dimmable/No Dimmable

### Shell structure



Units:mm

### Wiring diagram



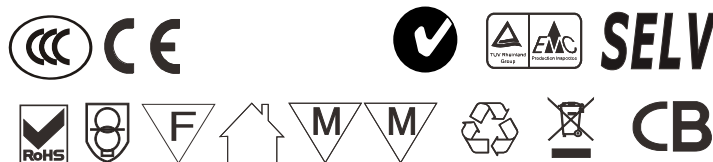
### Wiring color

Input		Color	Output	Color	Dimmer line	Color
110V/AC	L	BLACK	+	RED	10V	PURPLE
	N	WHITE			GND	GREY
220V/AC	L	BROWN	-	BLACK	DALI	PURPLE
	N	BLUE			DA	GREY

No Dimmable

## Product Features

- Adopt active PFC circuit scheme, high factor and low harmonic
- Full-isolation driver
- 135°C max working temperature
- Short circuit, over current and over voltage protection.
- Global multi-national certification optional (UL, ETL, TUV, SAA, CB, CCC, CE)
- Conform to the world lighting safety standards
- 5 years quality warranty



## Electrical specifications

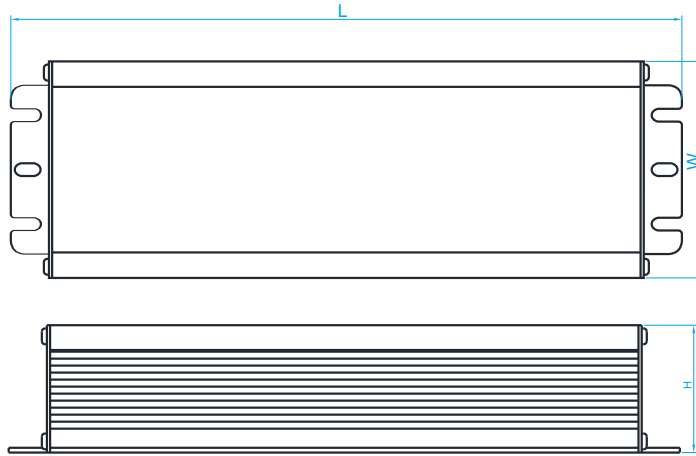
protect	Short circuit protection	Intermittent restart mode, after the exception can be automatically restored
	Overcurrent protection	Hiccup mode, after the removal of abnormal flow can be automatically restored
	Overvoltage protection	Hiccup mode, after the exception of abnormal pressure can be automatically restored
Environment	Operating Temperature/humidity	-30-70°C, 5-95%RH
	Storage Temperature/humidity	-40-100°C, 5-95%RH
	Temperature coefficient	±0.03%/°C (0-50°C)
	Vibration	5-55Hz/2g, 30 Minutes
Safety	Safety	EN60598
	Pressure	I/P-O/P:3KVAC IP-FG:1.88KVAC O/P-FG:0.5KVAC
	Insulation resistance	I/P-O/P I/P-FG O/P-FG:100M Ω /500VDC/25°C/70%RH
	EMC Emission	EN55022, EN55015 Class B
	EMC Immunity	EN61547, ENV5024, EN61000-4-2/3/4/6/8/11

Constant Current

Model	Factor	Dimming Type						Output voltage&current	Weight(g)	Size(mm)
		Triac	0-10V	DALI	PUSH	RF	PWM			
NHT-DRV-1000-2442-130C	PF>0.95							24-42V 1000mA	120	104*36*28
NHT-DRV-1200-2442-130C	PF>0.95							24-42V 1200mA	120	104*36*28
NHT-DRV-1500-2039-130C	PF>0.95							20-39V 1500mA	120	104*36*28

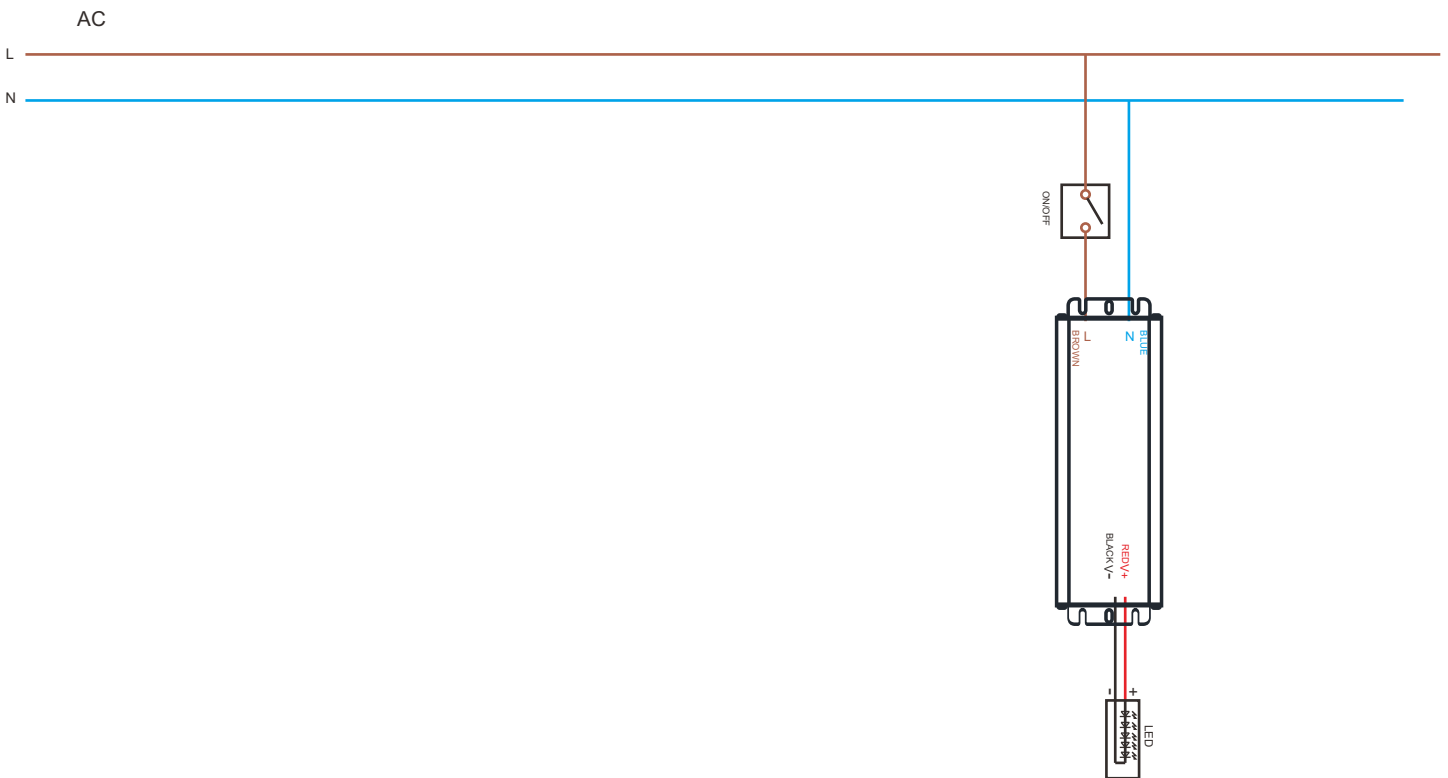
No Dimmable

Shell structure



Units:mm

Wiring diagram



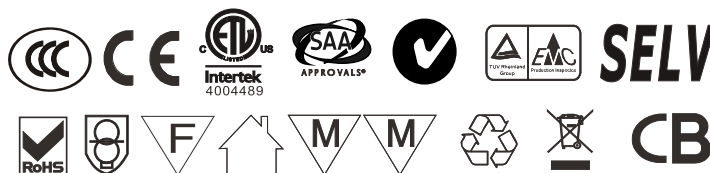
Wiring color

Input		Color	Output	Color			
110V/AC	L	BLACK	+	RED			
	N	WHITE					
220V/AC	L	BROWN	-	BLACK			
	N	BLUE					

## Triac/0-10V/DALI/PUSH/RF/PWM Dimmable/No Dimmable

### Product Features

- Adopt active PFC circuit scheme, high factor and low harmonic
- Full-isolation driver
- A variety of dimming mode 0-10V/DALI/PUSH/RF/PWM
- Short circuit, over current and over voltage protection.
- Global multi-national certification optional (UL, ETL, TUV, SAA, CB, CCC, CE)
- Conform to the world lighting safety standards
- 5 years quality warranty



### Electrical specifications

protect	Short circuit protection	Intermittent restart mode, after the exception can be automatically restored
	Overcurrent protection	Hiccup mode, after the removal of abnormal flow can be automatically restored
	Overvoltage protection	Hiccup mode, after the exception of abnormal pressure can be automatically restored
Environment	Operating Temperature/humidity	-30-45°C, 5-95%RH
	Storage Temperature/humidity	-40-70°C, 5-95%RH
	Temperature coefficient	±0.03%/°C (0-50°C)
	Vibration	5-55Hz/2g, 30 Minutes
Safety	Safety	EN60598
	Pressure	I/P-O/P:3KVAC IP-FG:1.88KVAC O/P-FG:0.5KVAC
	Insulation resistance	I/P-O/P I/P-FG O/P-FG:100M Ω /500VDC/25°C/70%RH
	EMC Emission	EN55022, EN55015 Class B
	EMC Immunity	EN61547, ENV5024, EN61000-4-2/3/4/6/8/11



Triac/0-10V/DALI/PUSH/RF/PWM Dimmable/No Dimmable

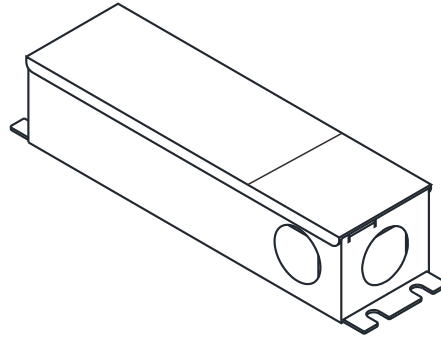
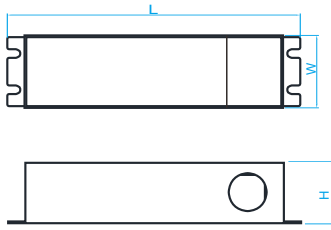
Constant C urrent								all PF>0,5 are flicker free			
Model	Factor	Dimming Type						Output voltage&current	Weight(g)	Size(mm)	
		Traic	0-10V	DALI	PUSH	RF	PWM				
DR-CC-12	PF>0.95	✓	✓	✓	✓	✓		24-34V 350mA	437	170*42*35	
	PF>0.5	✓	✓	✓	✓	✓		17-24V 500mA 12-17V 700mA			
DR-CC-20	PF>0.95	✓	✓	✓	✓	✓		28-40V 500mA	437	170*42*35	
	PF>0.5	✓	✓	✓	✓	✓		20-28V 700mA 16-22V 900mA			
DR-CC-30	PF>0.95	✓	✓	✓	✓	✓		30-42V 700mA	603	210*47*35	
	PF>0.5	✓	✓	✓	✓	✓		23-33V 900mA 18-25V 1200mA			
DR-CC-40	PF>0.95	✓	✓	✓	✓	✓	✓	40-57V 700mA	603	210*47*35	
	PF>0.5	✓	✓	✓	✓	✓	✓	32-45V 900mA 23-33V 1200mA 19-27V 1500mA			
DR-CC-60	PF>0.95	✓	✓	✓	✓	✓	✓	46-66V 900mA	776	240*50*35	
	PF>0.5	✓	✓	✓	✓	✓	✓	35-50V 1200mA 28-40V 1500mA 23-33V 1800mA			
DR-CC-80	PF>0.95	✓	✓	✓	✓	✓	✓	50-72V 1100mA	1121	262*66*35	
	PF>0.5	✓	✓	✓	✓	✓	✓	37-53V 1500mA 30-44V 1800mA 25-36V 2200mA			
DR-CC-100	PF>0.95	✓	✓	✓	✓	✓	✓	49-72V 1300mA	1121	262*66*35	
	PF>0.95		✓	✓	✓	✓	✓	38-55V 1800mA			
	PF>0.5	✓	✓	✓	✓	✓	✓	30-43V 2300mA 25-35V 2800mA			
DR-CC-150	PF>0.95		✓	✓	✓	✓	✓	42-57V 2.6A	1225	262*66*35	
	PF>0.5	✓	✓	✓	✓	✓	✓	36-42V 3.6A 30-36V 4.2A			
DR-CC-200	PF>0.95		✓	✓	✓	✓	✓	24-34V 5.8A	1300	240*69*40	
	PF>0.5	✓	✓	✓	✓	✓	✓	17-24V 8.3A 12-17V 11.7A			
DR-CC-250	PF>0.95		✓	✓	✓	✓	✓	24-34V 7.3A	1500	250*72*52	
	PF>0.5	✓	✓	✓	✓	✓	✓	17-24V 10.4A 12-17V 14.7A			
DR-CC-300	PF>0.95		✓	✓	✓	✓	✓	24-34V 8.8A	1500	250*72*52	
	PF>0.5	✓	✓	✓	✓	✓	✓	17-24V 12.5A 12-17V 17.6A			

## Triac/0-10V/DALI/PUSH/RF/PWM Dimmable/No Dimmable

Constant Voltage								all PF>0,5 are flicker free			
Model	Factor	Dimming Type						Output voltage&current		Weight(g)	Size(mm)
		Traic	0-10V	DALI	PUSH	RF	PWM				
DR-CV-12	PF>0.95	✓	✓	✓	✓	✓		12V	1000mA	437	170*42*35
	PF>0.5	✓	✓	✓	✓	✓		24V	500mA		
DR-CV-20	PF>0.95	✓	✓	✓	✓	✓		12V	1600mA	437	170*42*35
	PF>0.5	✓	✓	✓	✓	✓		24V	830mA		
DR-CV-30	PF>0.95	✓	✓	✓	✓	✓		12V	2400mA	603	210*47*35
	PF>0.5	✓	✓	✓	✓	✓		24V	1250mA		
DR-CV-40	PF>0.95	✓	✓	✓	✓	✓	✓	12V	3300mA	603	210*47*35
	PF>0.5	✓	✓	✓	✓	✓	✓	24V	1700mA		
DR-CV-60	PF>0.95	✓	✓	✓	✓	✓	✓	12V	5000mA	776	240*50*35
	PF>0.5	✓	✓	✓	✓	✓	✓	24V	2500mA		
DR-CV-80	PF>0.95	✓	✓	✓	✓	✓	✓	12V	6500mA	1121	262*66*35
	PF>0.5	✓	✓	✓	✓	✓	✓	24V	3300mA		
DR-CV-100	PF>0.95	✓	✓	✓	✓	✓	✓	12V	8000mA	1121	262*66*35
	PF>0.95		✓	✓	✓	✓	✓				
	PF>0.5	✓	✓	✓	✓	✓	✓	24V	4200mA		
DR-CV-150	PF>0.95		✓	✓	✓	✓	✓	12V	12.5A	1225	262*66*35
	PF>0.5	✓	✓	✓	✓	✓	✓	24V	6.2A		
DR-CV-200	PF>0.95		✓	✓	✓	✓	✓	12V	16.6A	1300	240*69*40
	PF>0.5	✓	✓	✓	✓	✓	✓	24V	8.3A		
DR-CV-250	PF>0.95		✓	✓	✓	✓	✓	12V	20.8A	1500	250*72*52
	PF>0.5	✓	✓	✓	✓	✓	✓	24V	10.4A		
DR-CV-300	PF>0.95		✓	✓	✓	✓	✓	12V	25A	1500	250*72*52
	PF>0.5	✓	✓	✓	✓	✓	✓	24V	12.5A		

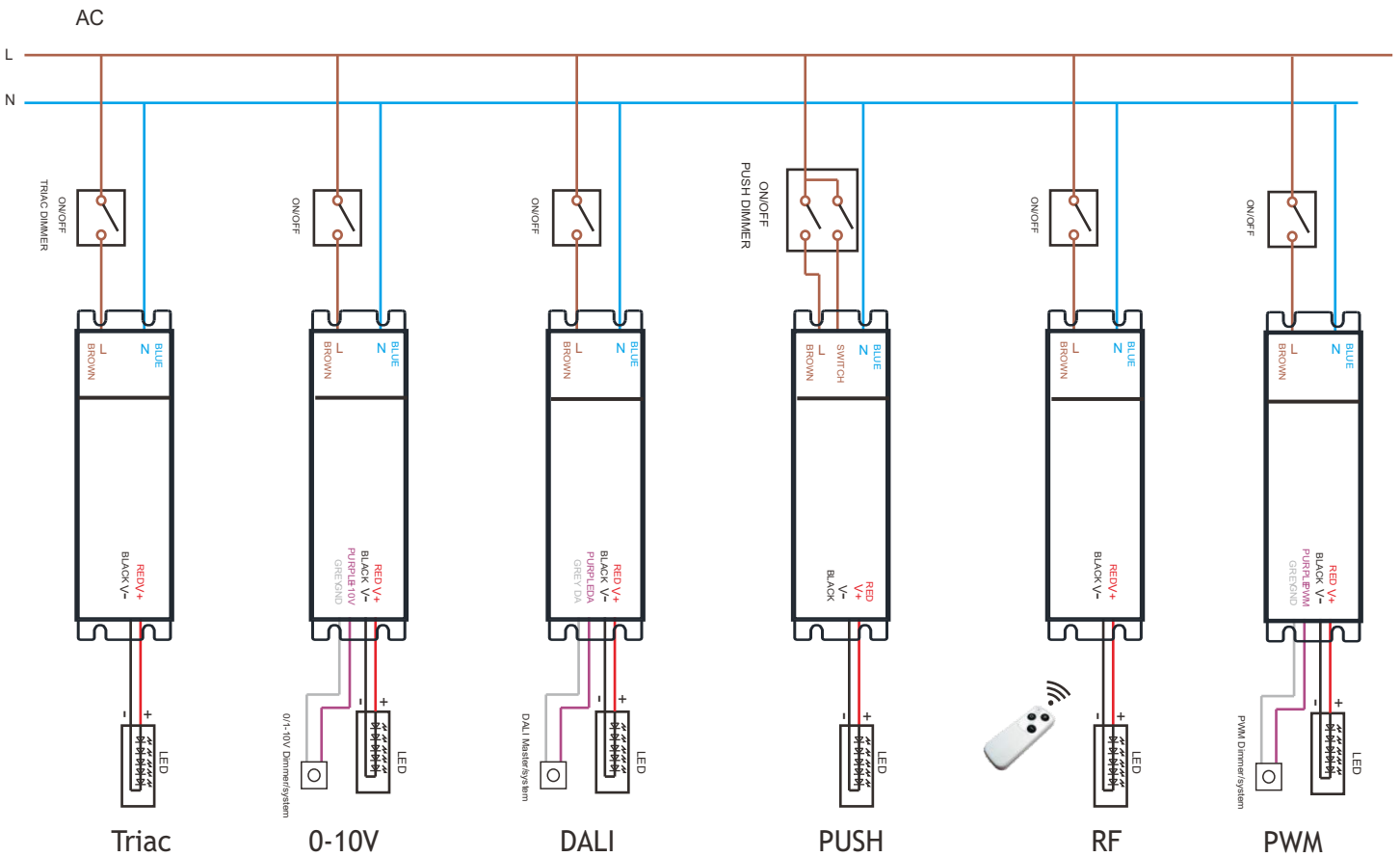
Triac/0-10V/DALI/PUSH/RF/PWM Dimmable/No Dimmable

### Shell structure



Units:mm

### Wiring diagram



### Wiring color

Input		Color	Output	Color	Dimmer line	Color
110V/AC	L	BLACK	+	RED	10V	PURPLE
	N	WHITE			GND	GREY
220V/AC	L	BROWN	-	BLACK	DALI	PURPLE
	N	BLUE			DA	GREY





# Nationaleco

Shenzhen P.R.C  
SPYX group member